

High Functions and Water-proof!

## Feature

- ▶ Protective structure is IP67.
- ▶ Connector type for easy maintenance is lined-up.
- ▶ Stable lamp provides.
- ▶ Installing strength is twice because inserting fitting metal is applied.
- ▶ Both PNP and NPN output are lined-up.
- ▶ Detecting distance is 10m for through-beam type, is 2.6m for retro-reflection type and is 0.5m for diffuse reflection type.

## Specifications

Kind	Through-beam type		Retro-reflection type		Diffuse-reflection type			
	Cable	PEX-105C	PEX-105A	PEX-263C	PEX-263A	Basic	Short-distance	
Mode No.	Cable	PEX-105C	PEX-105A	PEX-263C	PEX-263A	PEX-501C	PEX-501A	PEX-002C
	Connector	PEX-105C-J	PEX-105A-J	PEX-263C-J	PEX-263A-J	PEX-501C-J	PEX-501A-J	PEX-002C-J
Power source		10 to 30VDC(Ripple 10% or less)						
Current consumption		Projector : 20mA or less, Receiver : 15mA or less						
Light source		Red LED						
Detecting distance		10m		2.6m*1		0.5m*2		1 to 70mm*2
Detectable objects		Opaque objects with $\phi$ 8mm or more		Opaque objects with $\phi$ 50mm or more*1		Transparent/opaque objects		
Response time		0.5msec or less						
Operating mode		Changeover by switch(L : Light-ON, D : Dark-ON)						
Output		NPN	PNP	NPN	PNP	NPN	PNP	NPN
Control output		NPN/PNP open-collector, 100mA 30VDC or less, Residual voltage 1.8V 100mA or less						
Sensitivity adjuster		Fixed*3		Provided				
LED		Stable lamp : Green LED, Operating lamp : Orange LED*4						
Connection		Cable : $\phi$ 3.8mm, 2m long, 3 cores*5, Connector : M8(4 pins) connector						
Ambient illuminance		Incandescent lamp : 3,000lx or less, Sun light : 10,000lx or less						
Ambient temperature/humidity		-25 to +55 degrees C(-40 to +70 degrees C 70 degrees C when stored), 35 to 85%RH(35 to 90%RH when stored), Not condensing						
Vibration resistance		Double amplitude 1.5mm, 10 to 55Hz, each 2 hour in X, Y and Z directions						
Impact resistance		1,000m/s <sup>2</sup> , Each 3 time in X, Y and Z directions						
Protective structure		IP67(IEC standard)						
Case material		Body : resin with ABS glass fiber, Lens(Front cover) : PMMA resin						
Weight		Approx. 50g						
Attachment		Fitting metal		Fitting metal, reflector(RRP-50S-V)		Fitting metal		

\*1 When using RRP-50S-V

\*2 Using white paper with 20cm $\square$ 

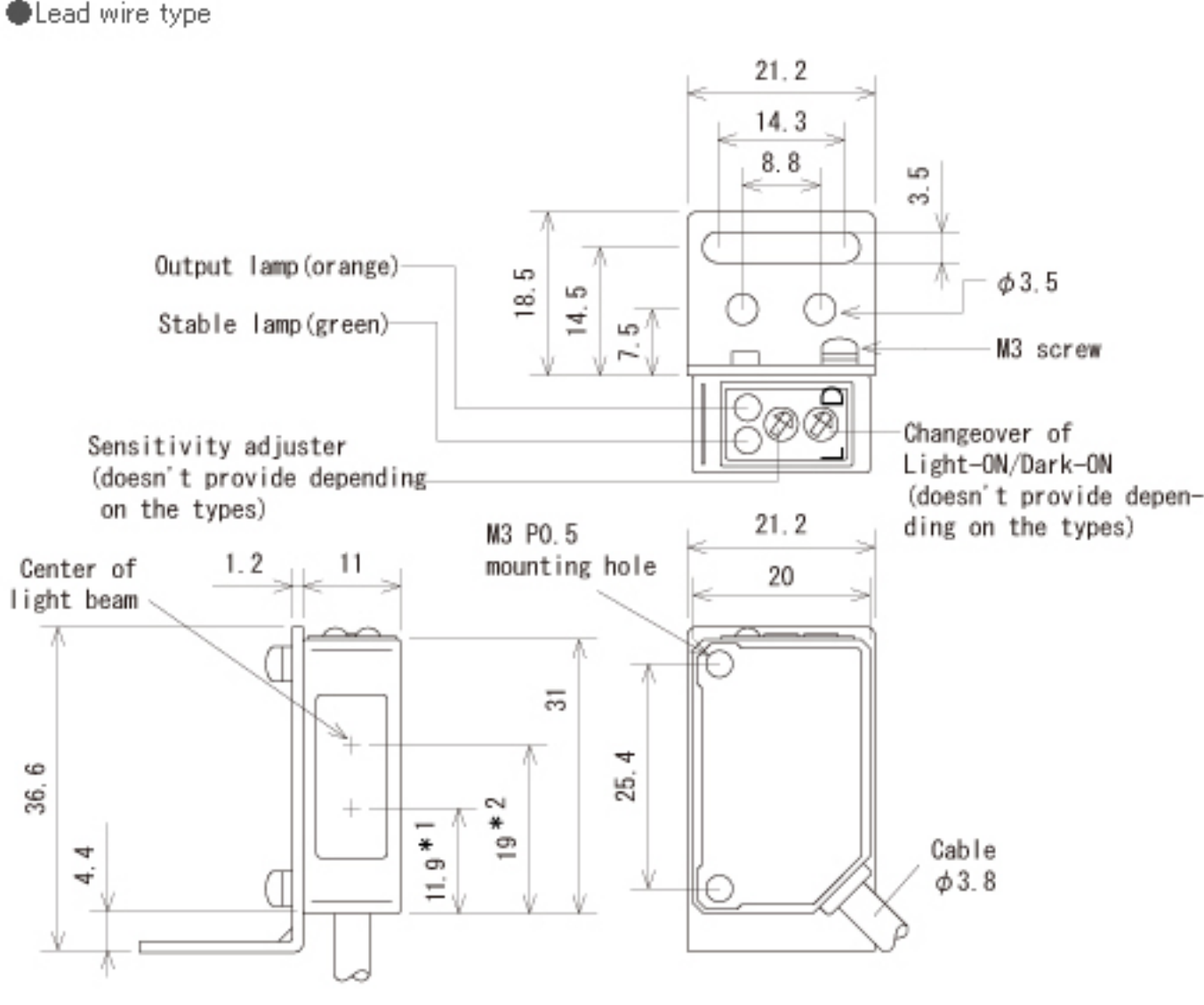
\*3 PEX-105C-0V01 with sensitivity adjuster is lined-up.

\*4 Not provides with projector

\*5 Only projector is 2 cores

## External dimension

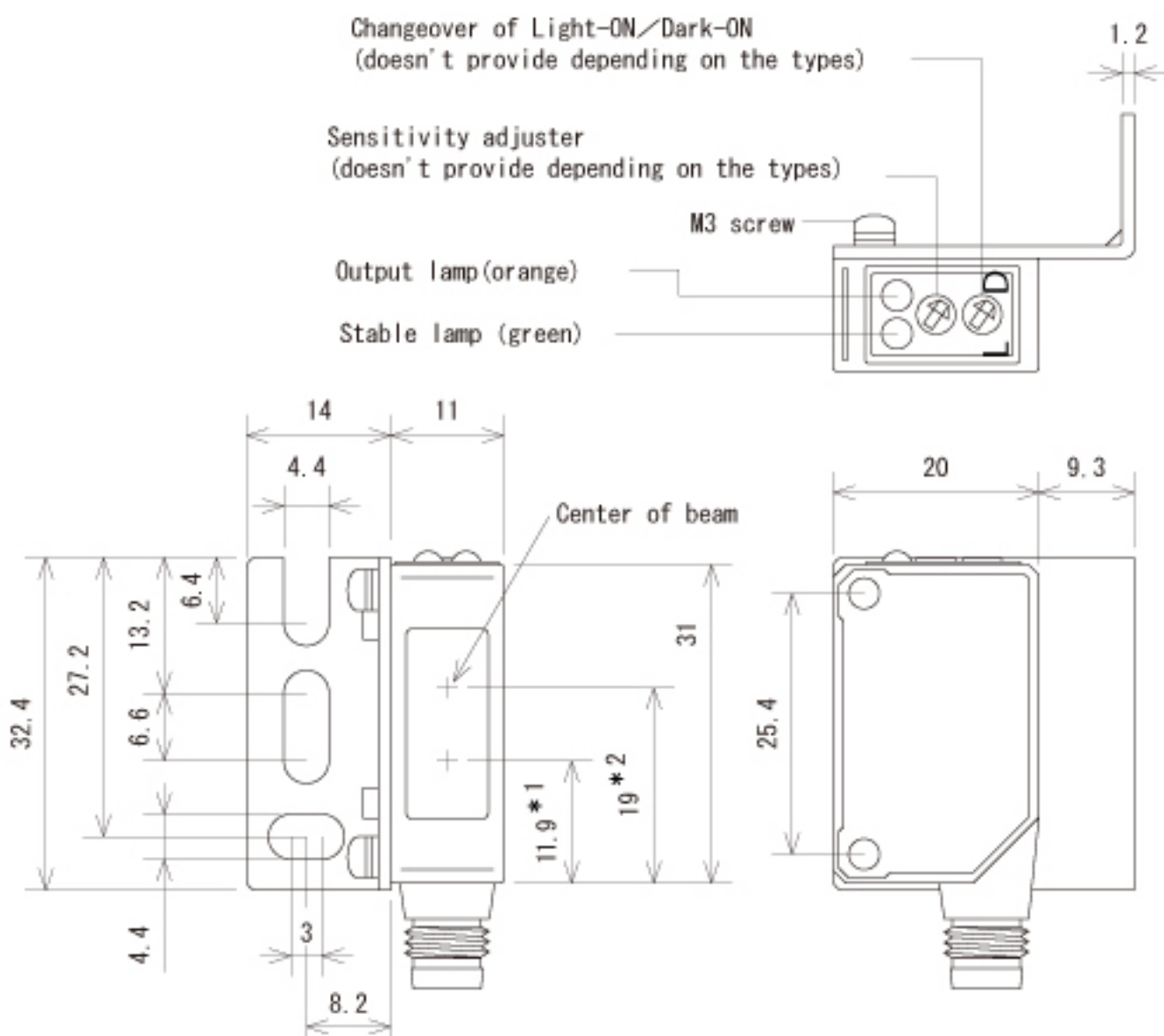
## ●Lead wire type



\*1 Center position of projecting-light for retro/refuse-reflection type.

\*2 Center position of projecting/receiving-light for through-beam type and center position of receiving-light for retro/refuse-reflection type.

## ●Connector type

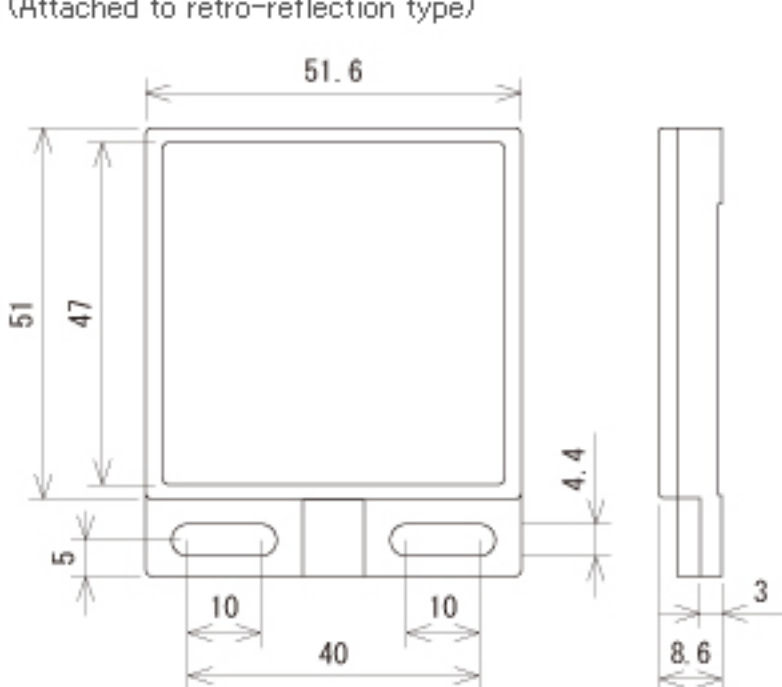


\*1 Center position of projecting-light for retro/refuse-reflection type.

\*2 Center position of projecting/receiving-light for through-beam type and center position of receiving-light for retro/refuse-reflection type.

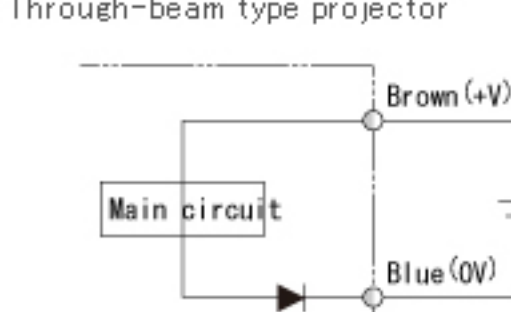
## ●Reflector

(Attached to retro-reflection type)

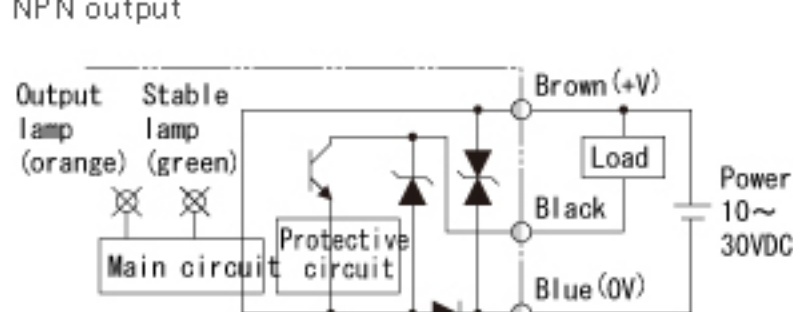


## Output circuit

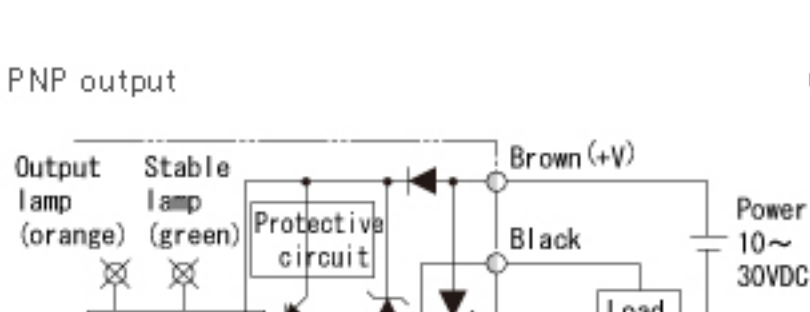
## Through-beam type projector



## NPN output



## PNP output



## Connector Pin No.

